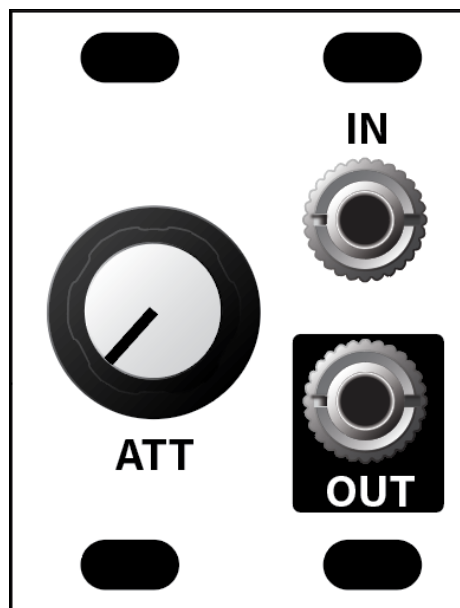


# ATT 1U

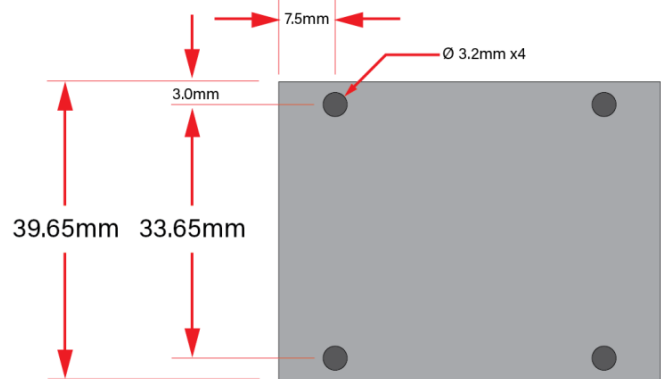
Passive Variable Signal Attenuator

---

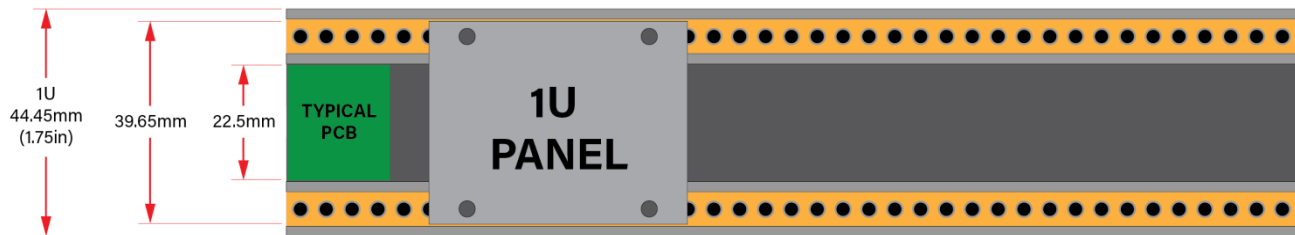


## INSTALLATION

This module is designed for use within an Intellijel-standard 1U row, such as contained within the Intellijel Palette cases, or 7U Performance cases. Intellijel's 1U specification is derived from the Eurorack mechanical specification set by Doepfer that is designed to support the use of lipped rails within industry standard rack heights.



Because ATT 1U is a passive module, it requires no power to operate.



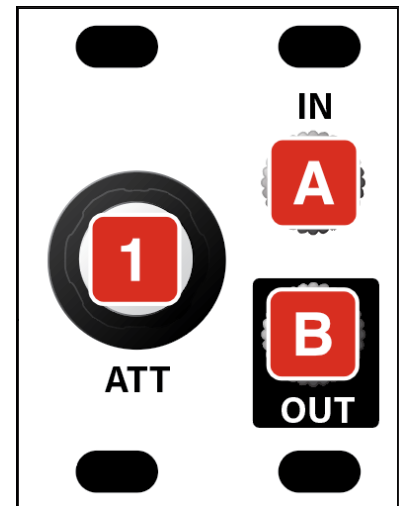
## FRONT PANEL

The ATT 1U module uses the **ATT [1]** knob to attenuate the signal appearing at **IN [A]**, which is then sent to **OUT [B]**.

**[A] IN** jack - Attenuator input. Patch the signal you want attenuated into this jack. This signal is attenuated with the **ATT [1]** knob and sent to the **OUT [B]** jack.

**[B] OUT** jack - Attenuator output. This jack carries the attenuated version of the **IN [A]** jack, as set by the **ATT [1]** knob.

**[1] ATT** knob - Attenuates the signal patched into the **IN [A]** jack, and sends the attenuated signal to the **OUT [B]** jack. When fully clockwise, the input signal is not attenuated. When fully counterclockwise, the input signal is fully attenuated.



## TECHNICAL SPECIFICATIONS

WIDTH: 14 hp  
 MAXIMUM DEPTH: 14 mm  
 CURRENT DRAW: None (passive module)